


PRODUCT SHEET

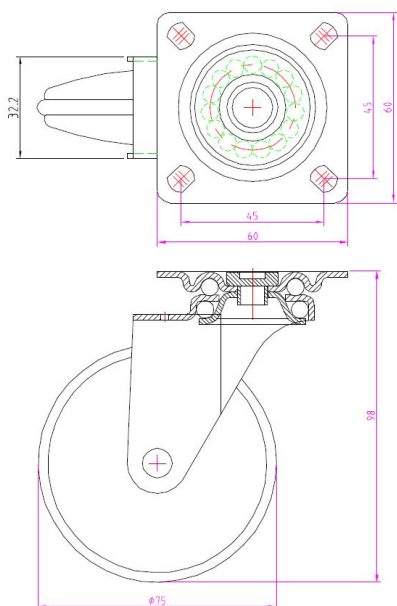
Description:

Fork Castor "Bob" ø75mm, W/Top PL 60x60x2mm, Black PU Ring, Matt Anodized Aluminium Wheel, Alu Finish Steel Fork, Zinc, Plated Top Plate cc:44mm, Load Capacity: 45KG

Item number:

08.12.365-0

Units	Box	Carton	HS Code	Barcode
Pcs.	4	32	8302200090	
				5704866481533



SISO A/S

Mileparken 11
DK-2740 Skovlunde
Denmark
VAT: DK 24786013

Phone +45 45 830 900

www.siso.dk
siso@siso.dk

Danske Bank
Nytorv Branch
Copenhagen
SWIFT: DABADKKK

Account no.
4180 3112 112936
IBAN Account
DK7230003112112936